

CANOpen Quick Start Guide – IDEA™ Motor Series



Components	
Name	Part Number
I/O Cable	56-1352
Power Cable	56-1348
CAN Cable	84-152
miControl Stick	52-870
Motor/Drive	EC042B-x0MP-93x EC057B-x0MP-93x

Every necessary software and document can be found [here](#)

Prerequisites

- Download mPLC v2.91 [here](#)
- Unzip and install mPLC

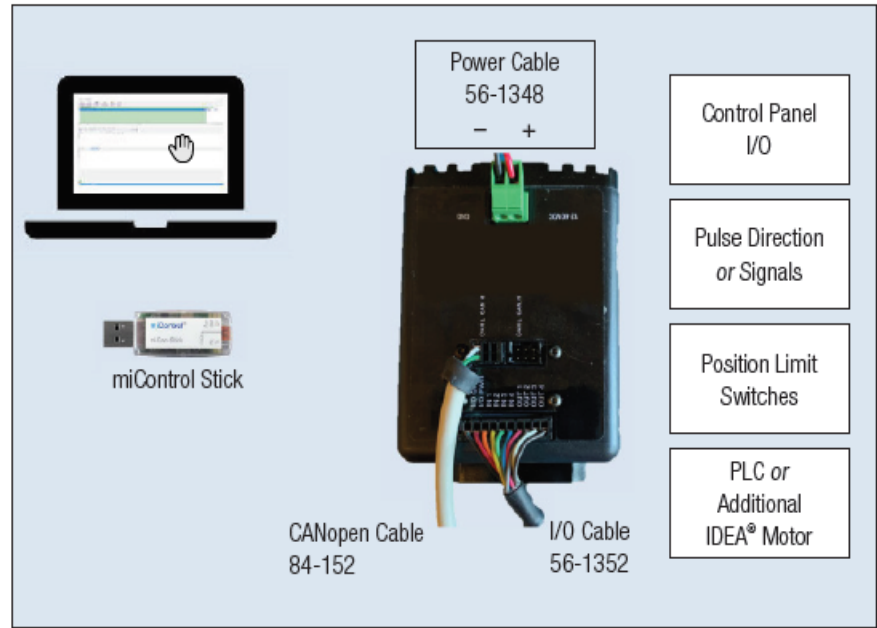


Figure 1

Connecting Motor/Drive

- Plug miControl miCAN-STICK2 to computer USB port. Plug CAN Cable to Motor. Plug Power Cable 56-1348 into the motor and connect to a power supply. See Figure 1.
- Start mPLC. The following message show a good connection:
 OK: mPLC was initialized
 OK: CAN-USB Interface was initialized
 See Figure 2.

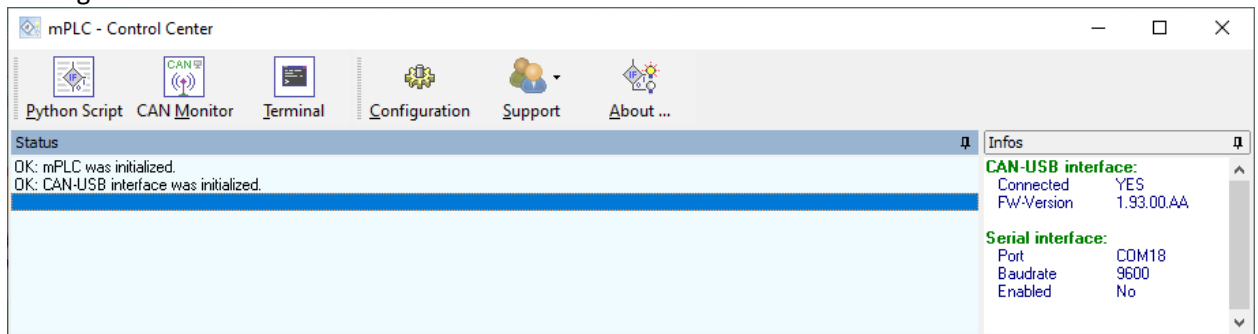


Figure 2

Operating Motor/Drive

- Download HKP_CANOpen_Tool_v2.1.12 from our [website](#)
- Unzip and run the “IDEA Drive GUI.pyx” executable
- For detailed instructions about the GUI, please see our user guide “CANOpen_GUI_UserGuide-2.1.12” on our [website](#)
- Alternatively, Python Scripts can be run from mPLC. Python Script examples can be found in our [Knowledgebase](#).

